

CIBSE Guide D: 2025

Chapter 7 – Lift Components & Installation

Paul Burchett

Head of New Installation Sales – TKE UKI



What does Chapter 7 Represent.?

This chapter describes the main components used in modern lifts, both electric traction and hydraulic, and their basic component configurations.

This chapter has been ably supported in its writing by :

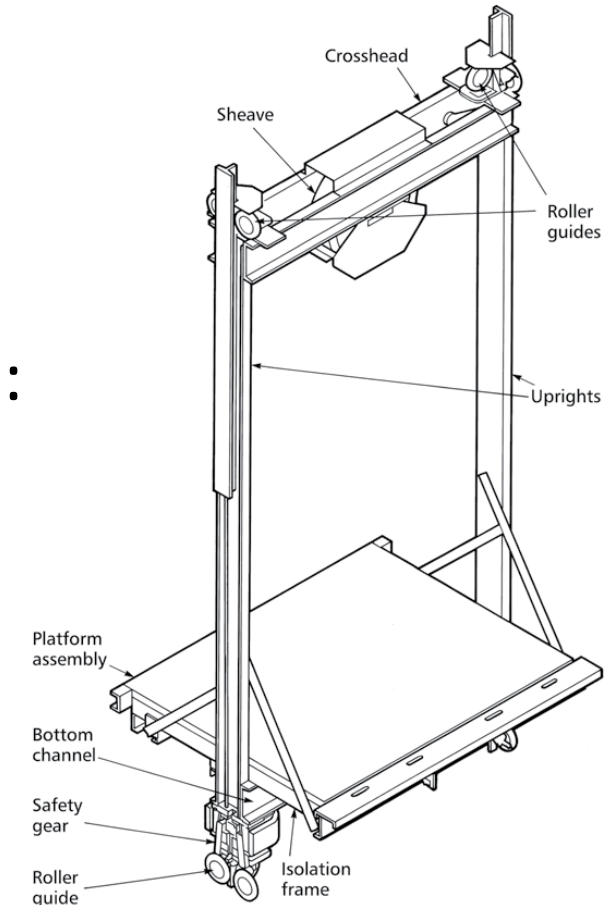
Gordon Lucas (ILECS) – Section 7.2 – Electric Traction Drives

Rob Keane (Hydratec) – Section 7.3 – Hydraulic Drives

Jonathon Hoskin (Ampertonic) – Section 7.18 – Remote Alarms

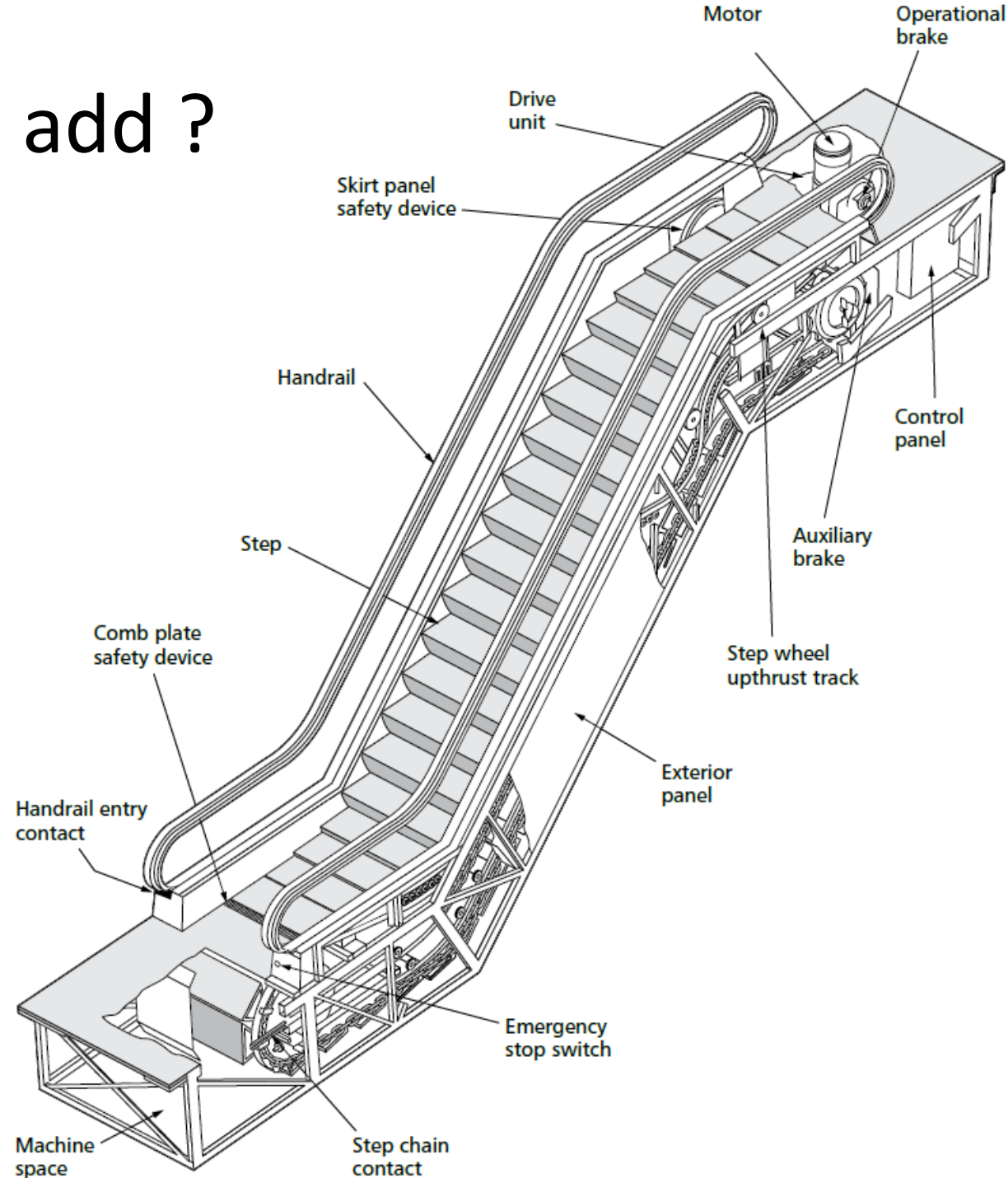
What has changed since 2020 ?

- Not too much as we added and updated a number of key items at the last revision in 2020.
- We intend a general update and sweep through of :
 - All key components
 - All codes & standards references
- I would seek your support & assistance in advising on any new technologies that we can generally add.



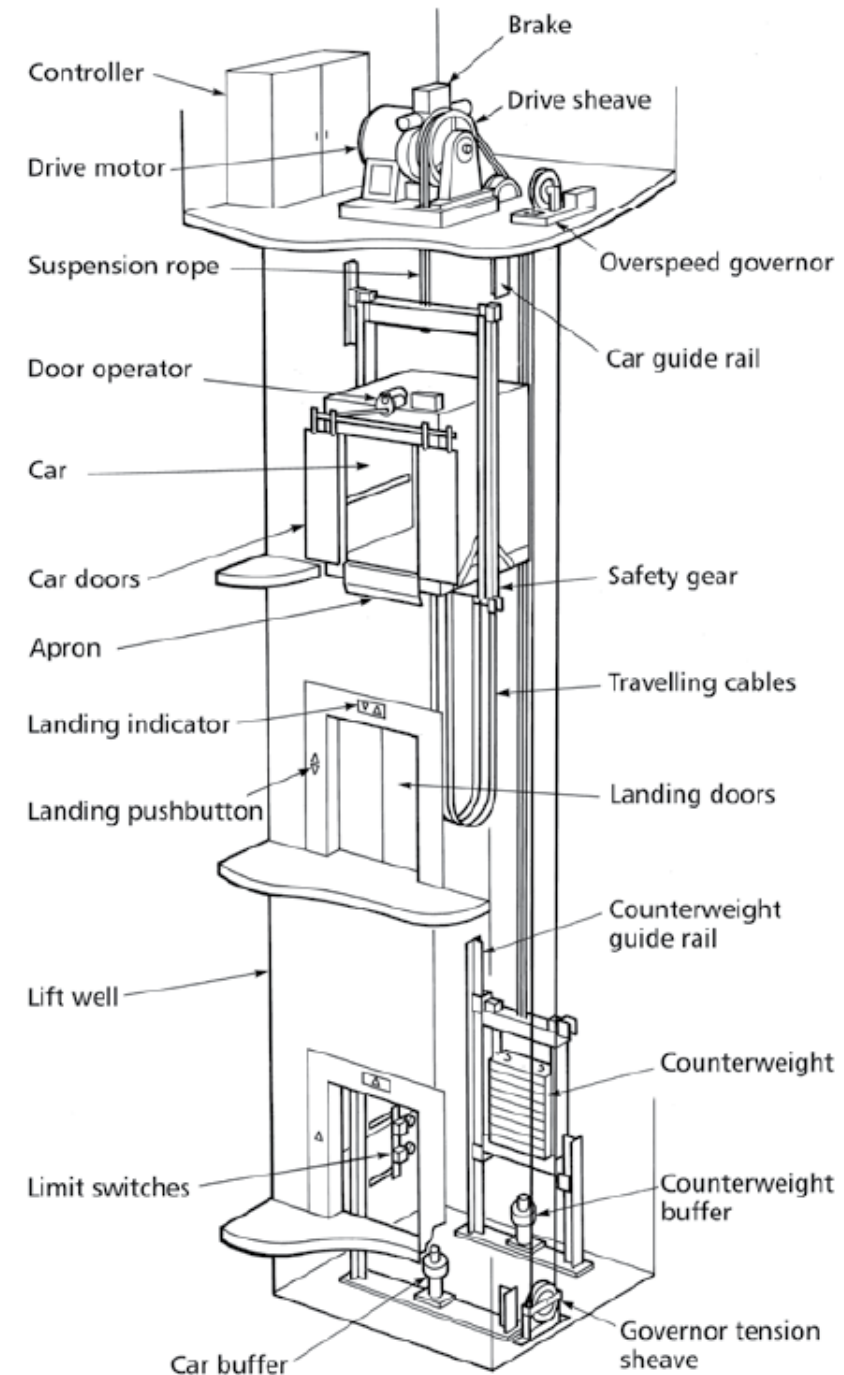
What are we proposing to add ?

- We are intending on adding Escalator Components in more detail within this section.
- Not intending to repeat information contained within **Section 10 – Escalators & Moving Walks.**
- We are currently discussing with certain key people within the industry to provide support in assisting with this new detail.



Chapter Feedback

- How is Chapter 7 viewed for the wider reader – useful.?
- How can we improve the content whilst not being company nor product specific ?
- We are seeking high resolution, professionally presented photographs of components that we can publish within Guide D 2025 that have been authorised for use to compliment the line drawings we also use.



(e) Destination control panel



(f) LCD/TFT information panels

Questions?

Email contact : paul.burchett@tkelevator.com

